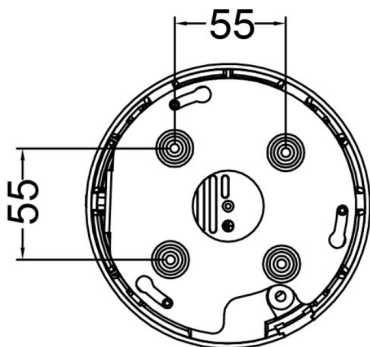
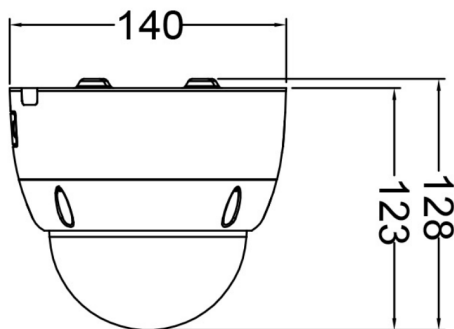




### Features

- 5MP Vandal Proof Dome
- 2.7-13.5mm Motorize Lens
- IR Distance: 120ft
- 1/2.8" SONY Starvis Back-illuminated CMOS sensor
- WDR, 3DNR, Defog, Smart-IR
- IP: 10/100 Ethernet, 5MP H.265/H.264
- IP67

### Drawing



\*All drawing measurements are in mm

### Specifications

Image Sensor	1/2.8" SONY Starvis Back-illuminated CMOS sensor
Image Resolution	5M:2592*1944 4M:2560*1440 2M:1920*1080
TV System	PAL/NTSC
Electronic Shutter	Auto / Manual
Scanning System	Progressive Scan
Lens Focus Length	2.7-13.5mm
Lens Focus Control	Auto
Lens Type	Motorized
IR Cut Filter	Yes
Infrared Led	42μ x 4PCS
Infrared Distance	120ft
IR Status	AGC Auto Control
Starlight	Yes
Day/Night	YES
OSD Menu	Yes
WDR	Yes
UTC	Yes
Noise Reduction	3DNR
White Balance	AUTO / MANUAL
Gain Control	AUTO
Housing	Metal, IP67
Bracket	No
Operation Temperature	-10°C ~ +50°C RH95% Max
Storage Temperature	-20°C ~ +60°C RH95% Max
Power Source	DC12V±10%, 750mA
Dimension (WxDxH)	φ 142 x 142(H) mm
Weight	1.2Kgs